

- LAND
- ↓ DOWNHOLE
- ~ SEABED
- ≡ MARINE



UNITE

Cable-free seismic acquisition

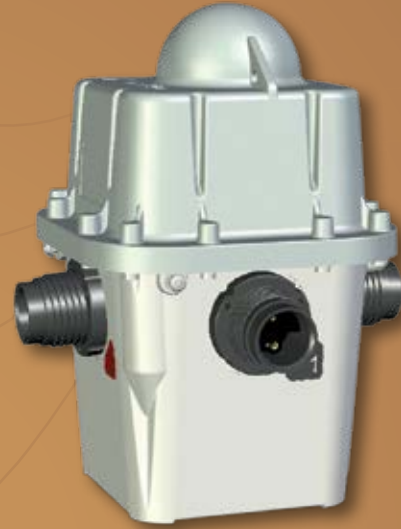


Ahead of the CurveSM

UNITE



RAU eX



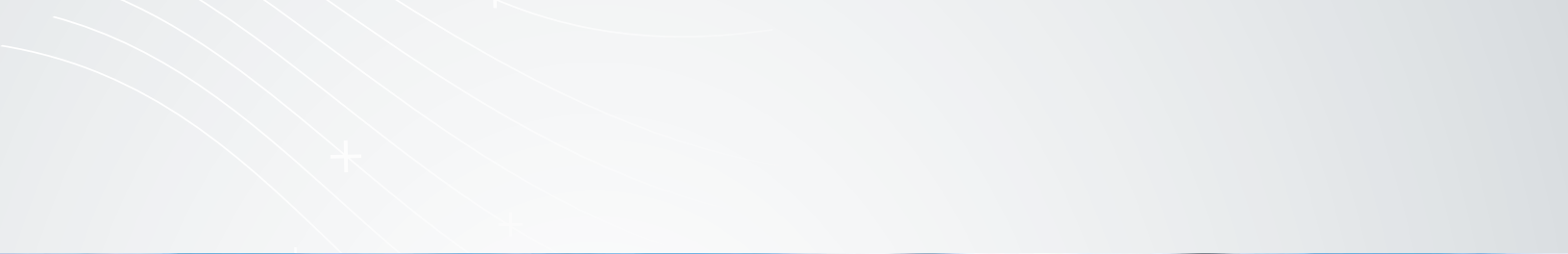
RAU eX-3

// THE MOST ADVANCED CABLE-FREE SOLUTION

UNITE, a unique cable-free system, pushes back current acquisition limits to offer the best flexibility in the most challenging environments. With the most advanced technology and full compatibility with Sercel's entire product range, Unite is without a doubt the most advanced cable-free system. Whether for data storage or real-time data transfer, using analog or digital sensors, its wireless QC and data harvesting capabilities offer an unprecedented level of flexibility and quality control.

Thanks to an expanded internal battery, UNITE offers two weeks of operating autonomy. This new feature enables the system to be easily buried, simplifies field operations and reduces risks of theft or loss. In addition, its new management software increases the system's wireless data harvesting rate by 50%, thereby improving operational efficiency and the continuous follow-up of operations.

Available as 1-C (RAU eX) or 3-C (RAU eX-3) sensor versions, UNITE meets any type of geological or survey constraints.



+ + + + +
+ + +
+ + + + +

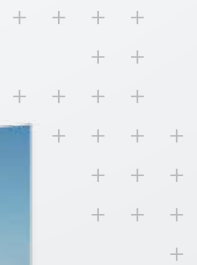


Features & Benefits

// GREATER FLEXIBILITY

Wireless data harvesting

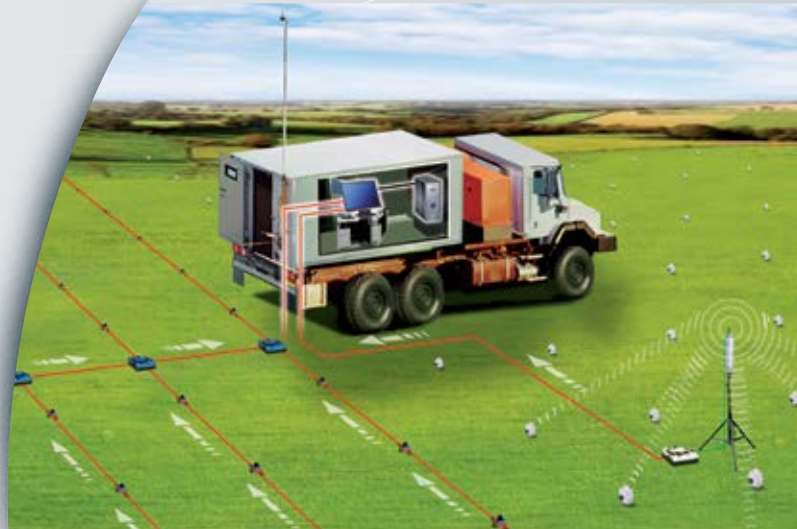
With the UNITE system and its licence-free wireless communication, data can be retrieved at any time, even during production. This avoids the need to transport boxes to a central location. Data can be accessed within a 1000-m line of sight area. In challenging areas there is no need to travel to the actual survey site nor is there a need to halt production to access either data or system status. Whereas most systems require a physical connection to retrieve data, UNITE, with its wireless connection, can use any means of transport that is best suited to survey conditions.



// COMPATIBLE WITH 428XL & 508^{XT}

A single recorder, a single SEG-D File

The UNITE cable-free system can now integrate with the Sercel 428XL and 508^{XT} to act as a single system in some of the toughest environments in the world.



A mix of cable and cable-free products

UNITE boxes can be linked directly to the 428XL or 508^{XT} cable network in order to send data and conduct QC in real time.

In autonomous mode, harvested data can also be sent directly into the 428XL or 508^{XT} line enabling immediate data reception by the recording truck.

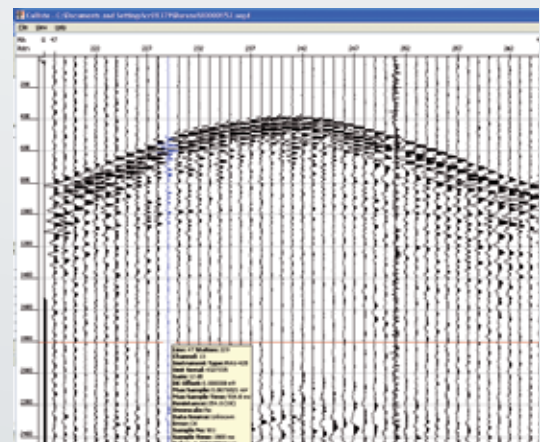
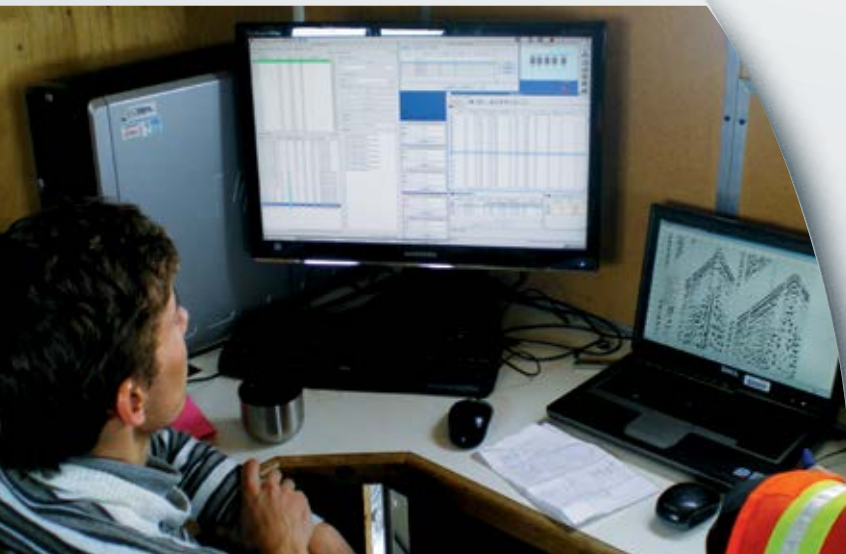
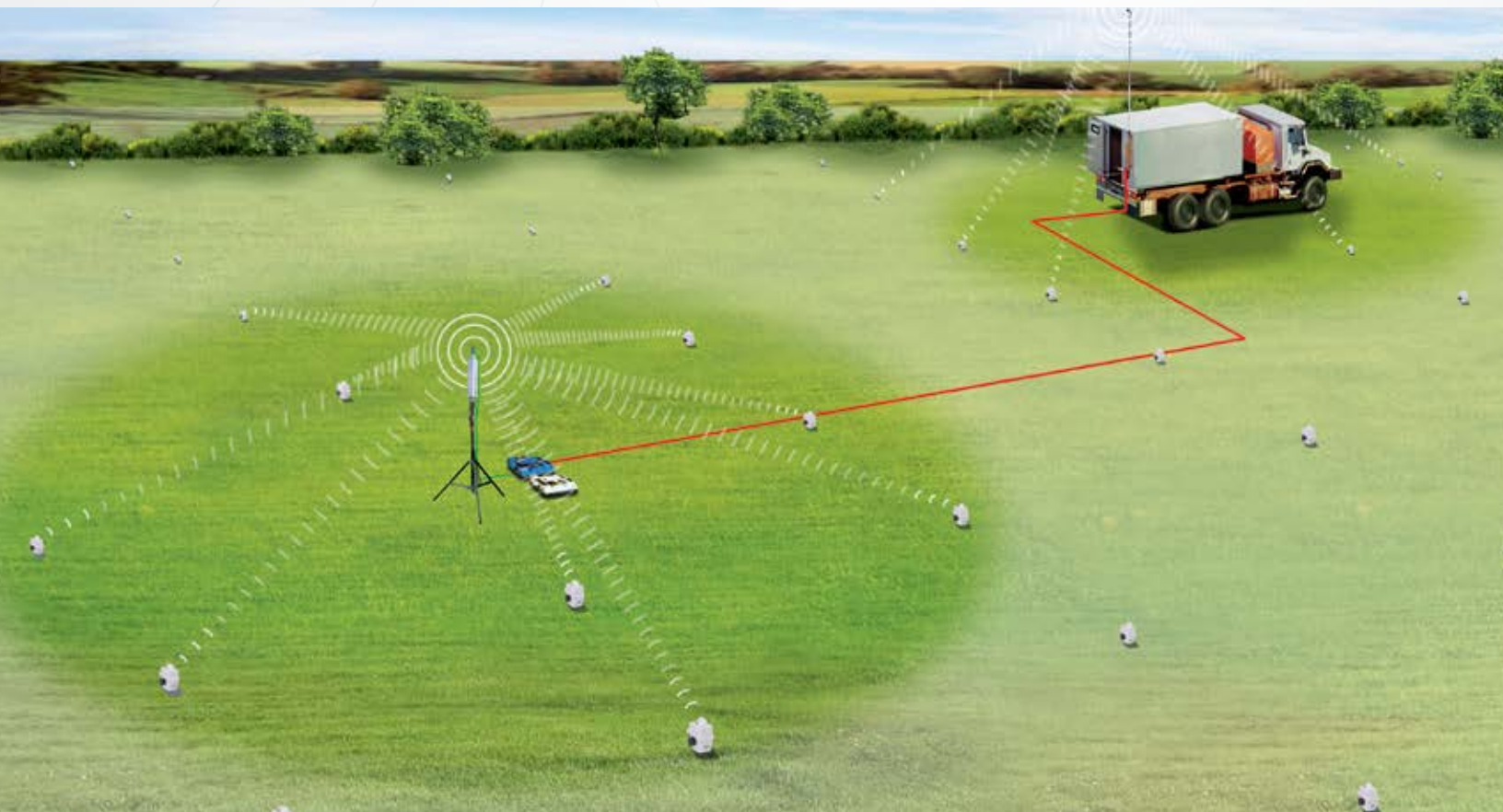
This unique product compatibility allows the use of a mix of cable and cable-free systems, opening up exciting new possibilities.



// IMPROVED QUALITY CONTROL

Real-time data retrieval & QC

The flexibility of the UNITE system allows a purpose-built wireless network to be established for the real-time transmission of recorded data to the central recorder. Whether directly to the recorder, whether through the 428XL/508XT line, data is checked and QC conducted in real time.



// REDUCED RISKS

Continuous data retrieval & QC checks

UNITE enables continuous wireless data retrieval even during production. In this way, data can be stored at regular intervals in a safe area. At the same time as data is retrieved, the status of all the recording units is checked automatically: battery level, sensor quality and memory status.

This ensures smooth operations.

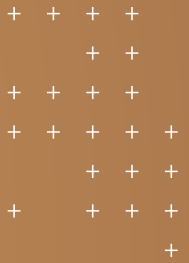


Lo-jack protection

With cable-free systems, they can sometimes be hard to find! By being always connected to GPS, Unite has the unique ability to send its position regularly.



Equipment



INTEGRATED GPS
High-accuracy clock synchronization



INTEGRATED WLAN
High-speed wireless communication



TWO REPORTING LED

Immediate status for:

- GPS STATUS
- WLAN STATUS
- SENSOR STATUS
- UNITE STATUS



ETHERNET CONNECTOR

Settings & Data retrieval



GEOPHONE CONNECTOR

Standard KCK2 plug



HIGH MEMORY CAPACITY

Non volatile - over four weeks' autonomy (12-hour working days configured)



EXTERNAL BATTERY CONNECTION

Hot-Swap - 11-18V DC



RADIO IDENTIFICATION (RFID)

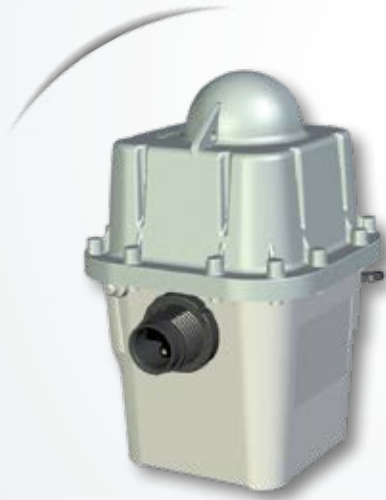
Serial number assignment



INTERNAL BACK-UP BATTERY

140-hr working autonomy

UNITE range



// RAU eX

This single-channel cable-free acquisition unit can connect any geophone string. Whether in autonomous or infrastructure mode, the unit's wireless QC and data harvesting capabilities offer an unprecedented level of flexibility and quality control.



+ + + +
+ +
+ + + +



// RAU eX-3

Designed with three-geophone inputs, this three-channel unit is designed for 3-C geophone sensors. The three-channels can also be used independently for three different receiver locations.



Field products

// DATA HARVESTER

Tablet PC to be used for QC or data harvesting in the field. It includes a RAU harvesting cable, a spare battery and the software.



// DONGLE

Dongle to connect with the eight-way connector for setup without an external battery.



+ + + +
 + +
 + + + +
 + + + + +
 + + +
 + + + +
 +



// CAN ANTENNA KIT

Connected to the CAN, this kit enables radio communication with the acquisition units. Including 28' mast and cabling for deployment.

1 CAN ANTENNA KIT



// UNITE SETTINGS KIT

This kit contains all the equipment needed to manage the acquisition unit settings (parameters, working time, etc.). Software included.
Contents :



1 UNITE CLIENT COMPUTER

1 CAN

1 CAN ANTENNA KIT

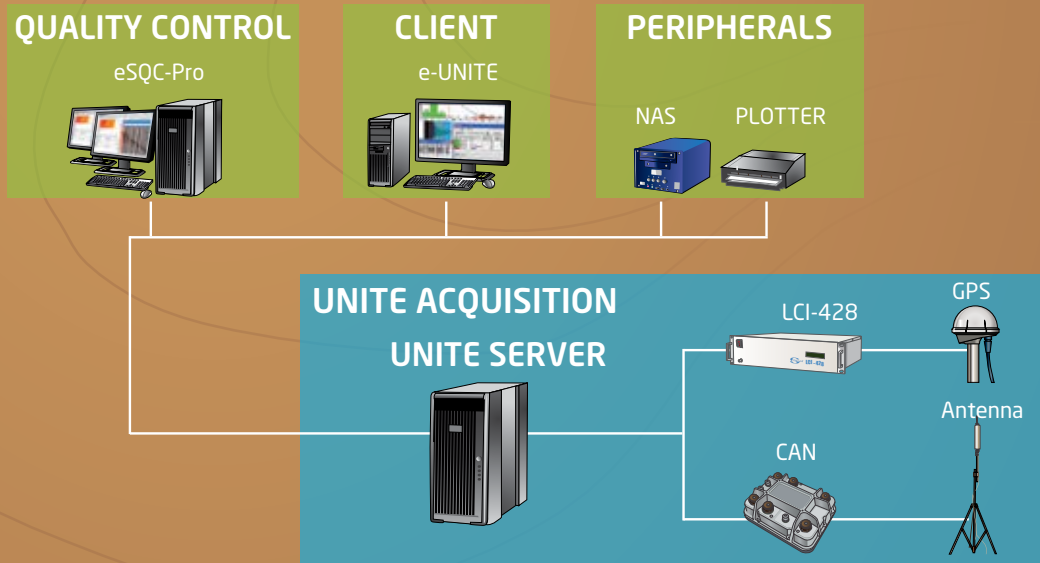
// PFT

This portable Field Terminal is used to manually assign the RAU serial number to the stake location. GPS stake assignment is also available.

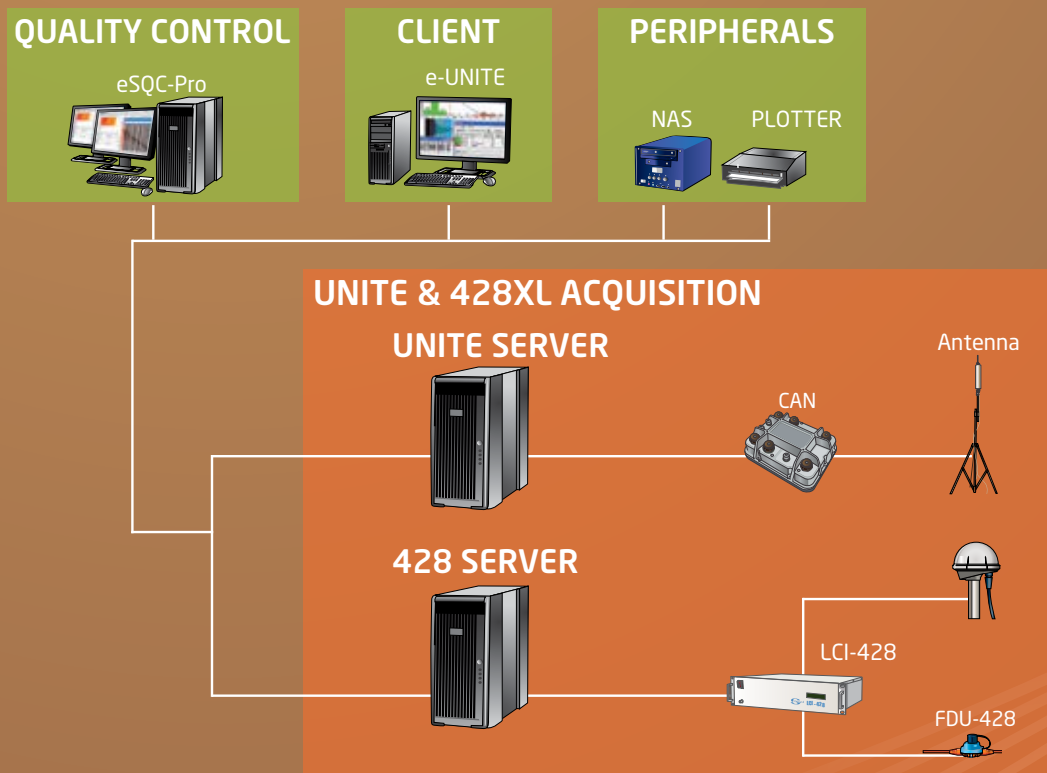


Recorder

// FULL CABLE-LESS CONFIGURATION



// IN-FILL CONFIGURATION



e-UNITE SERVER 2000

UP TO 2,000-CHANNEL SERVER

- 5 x 1 TB
- 6-Gb RAM mono-processor



e-UNITE SERVER 20000

UP TO 20,000-CHANNEL SERVER

- 5 x 1 TB
- 24-Gb RAM bi-processor

e-UNITE CLIENT

- 6-Gb RAM quad core processor
- Compatible with LINUX Red Hat / Windows 7 / Windows XP
- Delivered with 24" flat screen



LCI-428

LINE ACQUISITION UNIT

- Interface between spread and recording equipment
- Management of auxiliary channels



CAN II

CELL ACCESS NODE

- UNITE wireless communication module



ACCUTIME GOLD GPS

GPS receiver used for system synchronization

- Propagation of GPS time reference
- Tolerance to loss of PPS signal



NAS

Complete storage system self-contained in a housing case

- Up to 2 TB disk capacity (125 hrs of seismic data - 1000ch@2ms)
- Raid 1 Disk feature



CAN ANTENNA

- Up to 1,000-m communication range



Software

+ + + +
+ +
+ + + +
+ + + +
+ + + +
+ + + +

// e-UNITE

Data acquisition software

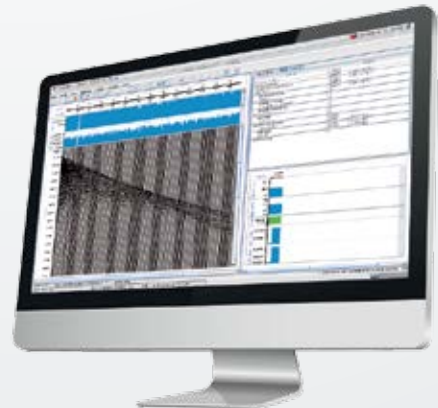
e-UNITE software controls the seismic source and performs all the requested computations (stacks, correlations) before recording data onto tapes or disks. e-UNITE software includes a component that generates stake marker files and takes care of completing the shot files with the seismic data from the CAN and from the Data Harvester.



// eSQC-Pro

Quality control software

eSQC-Pro is a powerful integrated tool for real-time QC of seismic data acquisition without slowing down production. Its client/server architecture allows real-time QC display on a remote standard PC through a secure Internet connection.



// SGA

Signal graphic analyzer

SGA is the latest generation of Signal Graphic Analyzer QC Tool. Featuring a new user-friendly graphical interface and being able to work in real-time or standalone mode, SGA can be installed on any computer to perform detailed signals analysis. The software supports a wide range of graphical displays (amplitude, spectrum, distortion, phase,...) and is compatible with the latest SEG-D file revisions (rev 2.1 and 3.0).





UNITE

Cable-free seismic acquisition

Sercel - France

16 rue de Bel Air
B.P. 30439 - 44474 CARQUEFOU Cedex
Téléphone: (33) 2 40 30 11 81
Fax: (33) 2 40 30 19 48
E-mail: sales.nantes@sercel.com
SAS au capital de 2 000 000 €
Siège Social: 16 rue de Bel Air - 44470 CARQUEFOU
378.040.497 R.C.S. Nantes Code APE 2651B

Sercel Inc. - U.S.A.

17200 Park Row
Houston, Texas 77084
Telephone: (1) 281 492 6688
Fax: (1) 281 579 7505
E-mail: sales.houston@sercel.com

www.sercel.com

© Sercel 10/16



Ahead of the CurveSM